



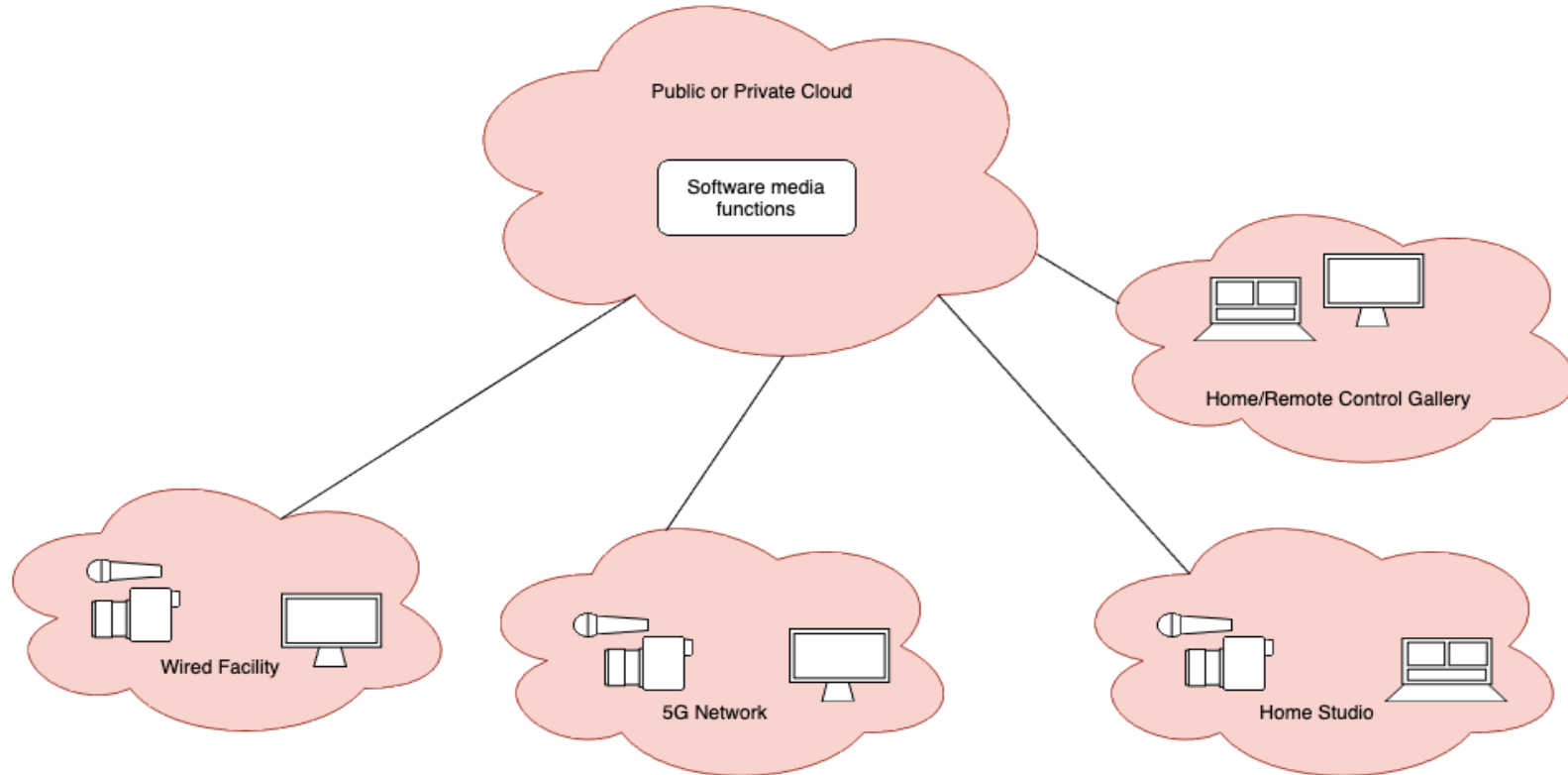
# 5G RECORDS



## Operational Control Layer

---

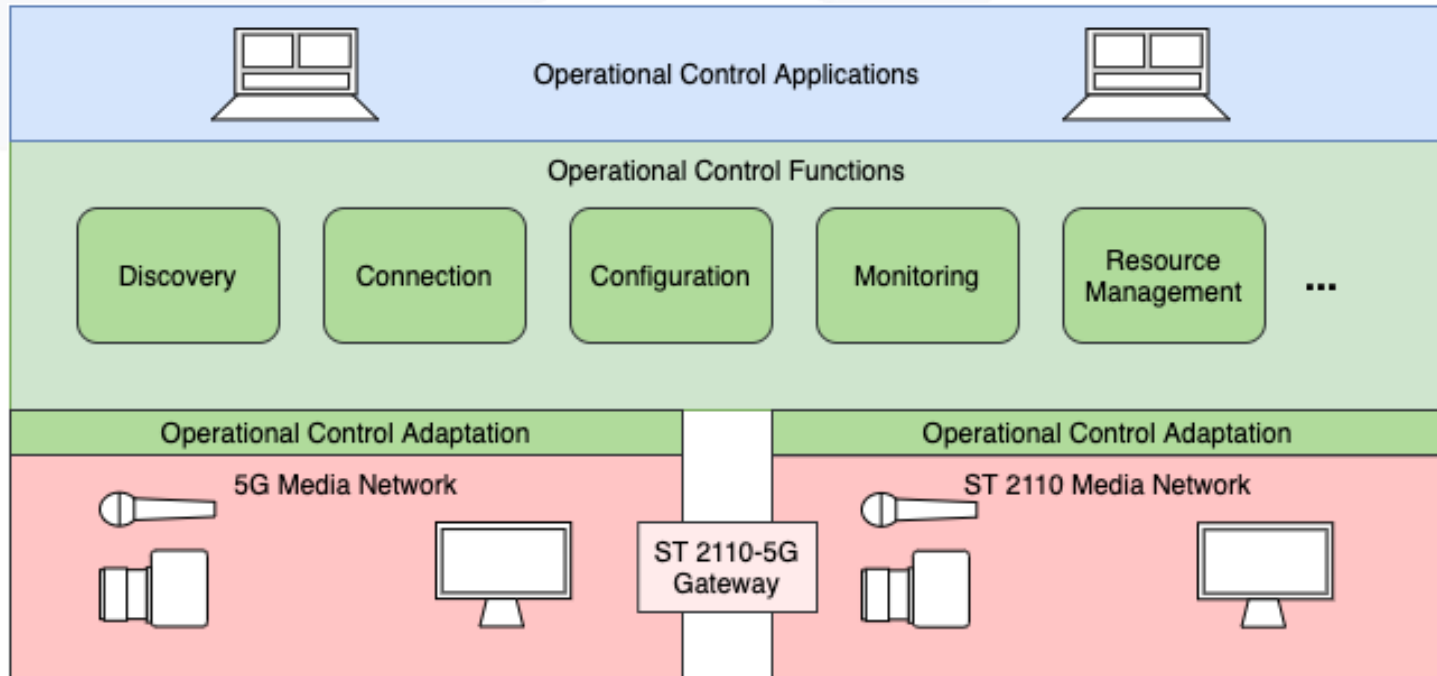
# Production across multiple networks



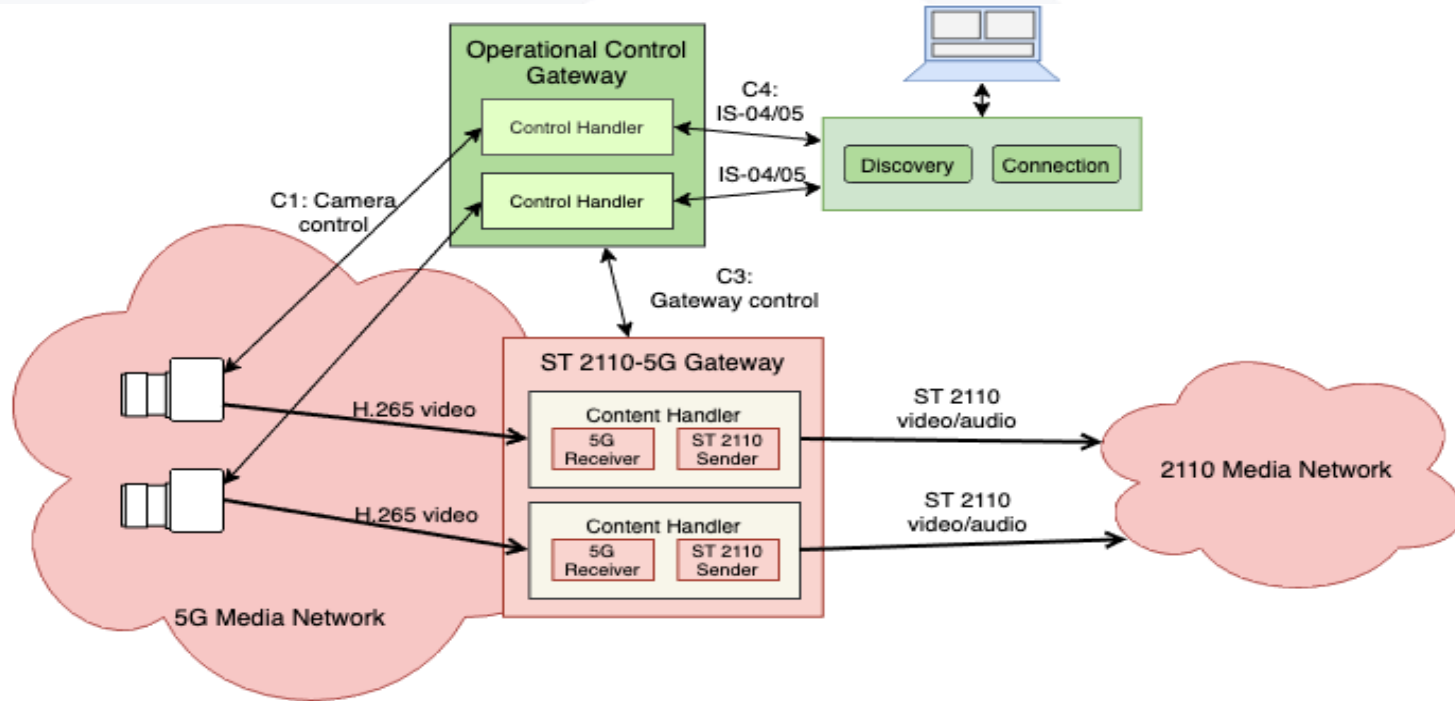
# Interworking

---

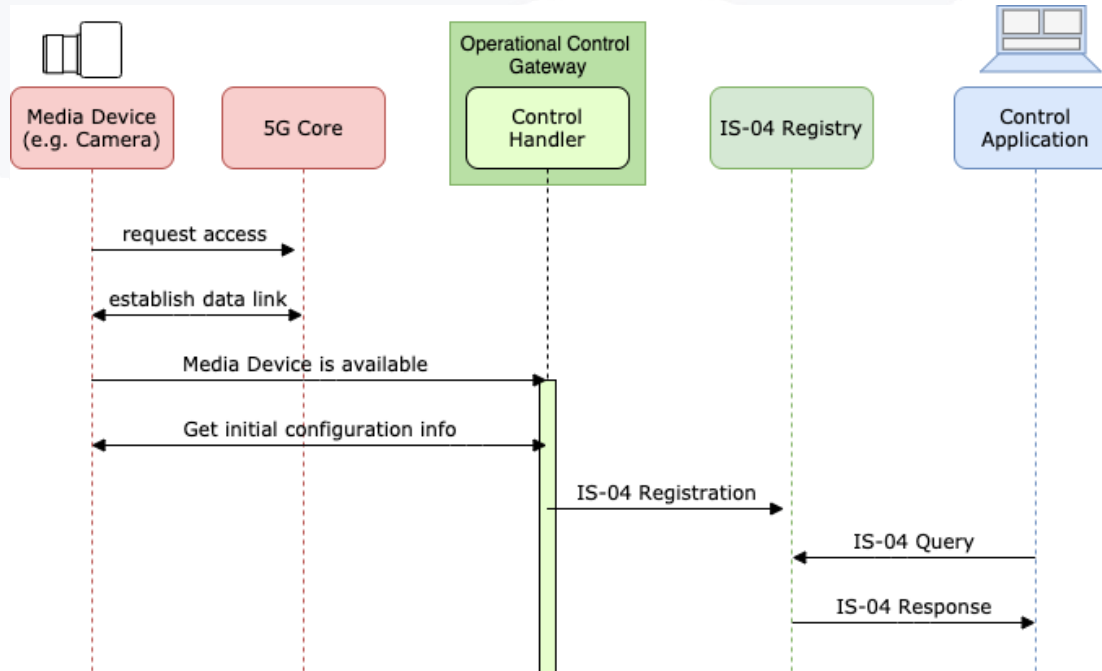
- **Stream transport protocols + formats**
- Provisioning of dynamic resources
- **Discovery of resources**
- Grouping and labelling of resources
- Configuration of resources
- **Connection of media and data flows**
- Conversion of media and data flows
- **End-to-end Timing and Synchronisation**
- **Operational control**
- Monitoring
- Logging
- **Authentication and Authorisation**
- Process Automation
- Resource Allocation, Reservation
- Resilience management and monitoring



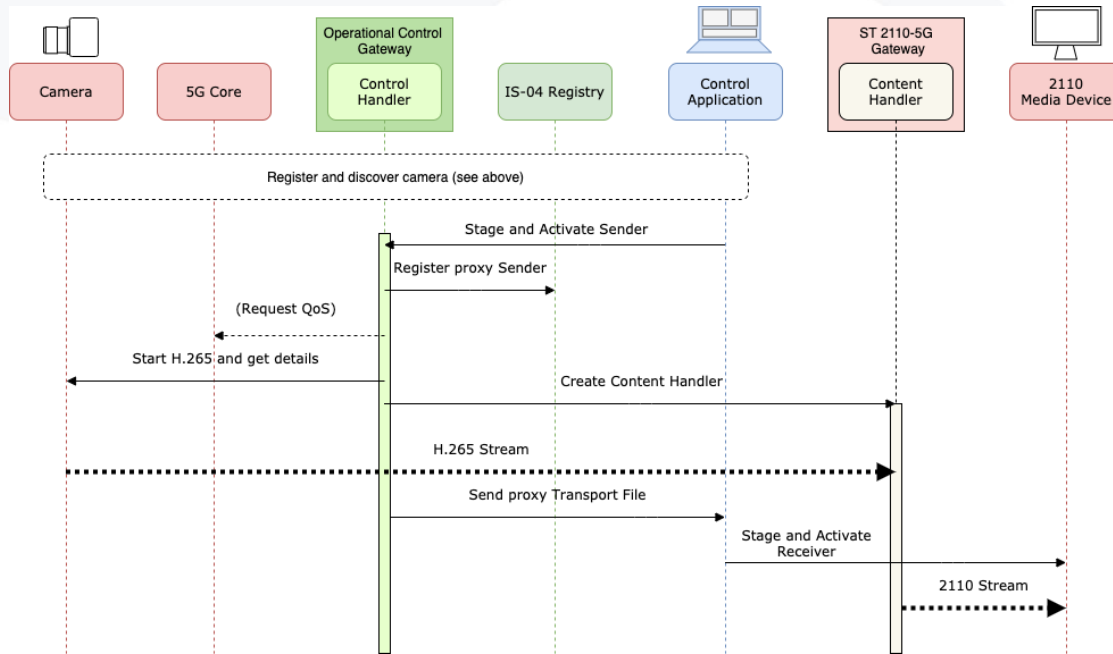
# Connecting 5G and 2110 networks



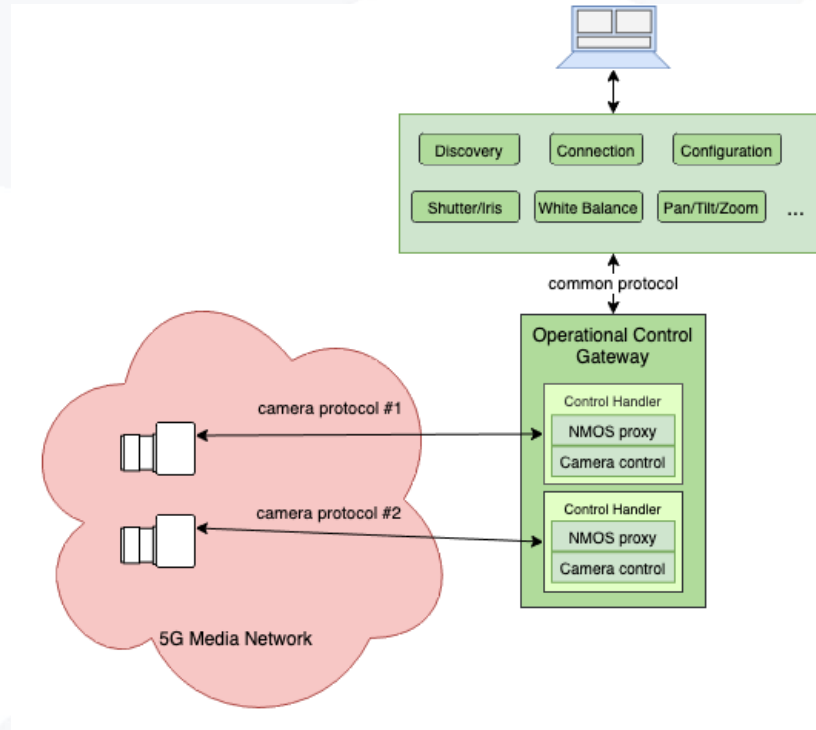
# Discovery



# Connection



# Camera control



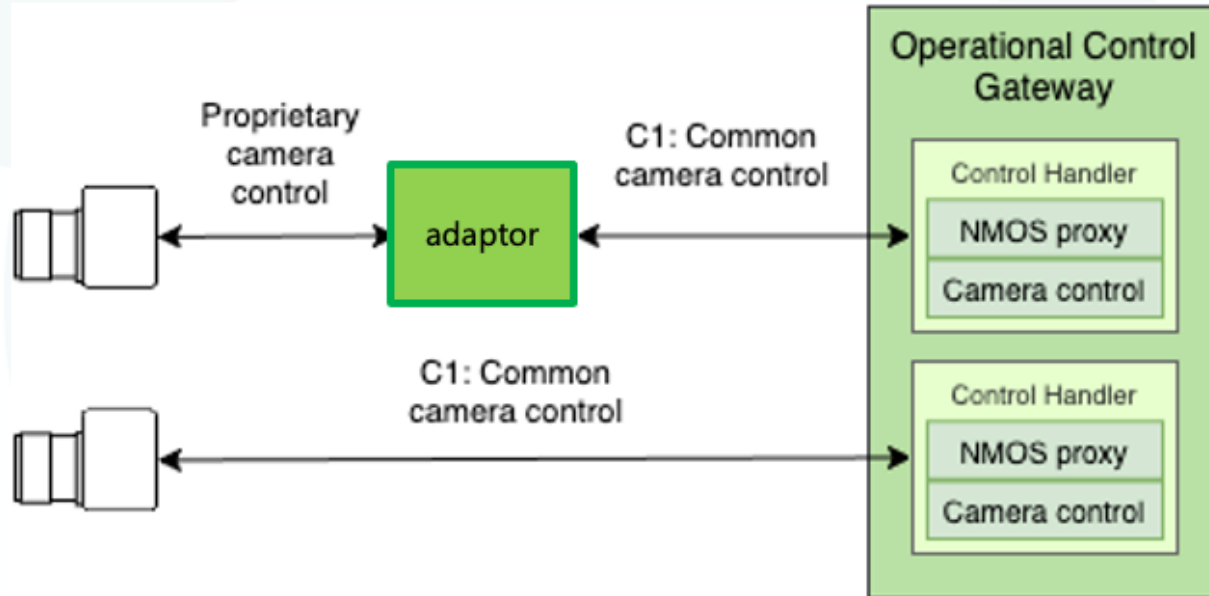


# Priorities for camera control

---

- Independence from specific camera vendor/model
- Independence from specific messaging and transport protocol
- Focus on common commands (not vendor-specific commands)
- Translate as required to camera specific messages

# Camera control



## Networked Media Open Specifications: Introduction

### About NMOS

NMOS is a family name for specifications produced by the Advanced Media Workflow Association related to networked media for professional applications.

The table below lists the current specifications and provides links to their repositories on [github.com/AMWA-TV](https://github.com/AMWA-TV) and documentation on [specs.amwa.tv](https://specs.amwa.tv). The "Version" links will take you to the documentation and download page (↓) for the latest release of recent versions of the specification.

The [NMOS API Testing Tool](#) supports the majority of these specifications.

Id	Name	Spec Status	Version(s)	Repository
IS-04	Discovery & Registration	AMWA Specification (Stable)	<a href="#">v1.3 ↓</a> <a href="#">v1.2.2 ↓</a> <a href="#">v1.1.3 ↓</a>	<a href="#">nmos-discovery-registration</a>
IS-05	Device Connection Management	AMWA Specification (Stable)	<a href="#">v1.1 ↓</a> <a href="#">v1.0.2 ↓</a>	<a href="#">nmos-device-connection-management</a>
IS-06	Network Control	AMWA Specification	<a href="#">v1.0 ↓</a>	<a href="#">nmos-network-control</a>
IS-07	Event & Tally	AMWA Specification	<a href="#">v1.0.1 ↓</a>	<a href="#">nmos-event-tally</a>
IS-08	Audio Channel Mapping	AMWA Specification (Stable)	<a href="#">v1.0.1 ↓</a>	<a href="#">nmos-audio-channel-mapping</a>
IS-09	System Parameters	AMWA Specification	<a href="#">v1.0 ↓</a>	<a href="#">nmos-system</a>
IS-10	Authorization	Work In Progress		<a href="#">nmos-authorization</a>
MS-04	ID & Timing Model	AMWA Specification	<a href="#">v1.0 ↓</a>	<a href="#">nmos-id-timing-model</a>
BCP-002-01	Natural Grouping	AMWA Specification		<a href="#">nmos-natural-grouping</a>
BCP-003-01	Securing Communications in NMOS Systems	AMWA Specification		<a href="#">nmos-secure-communication</a>
BCP-003-02	Authorization in NMOS Systems	Work In Progress		<a href="#">nmos-authorization-systems</a>



Thank you

[peter.brightwell@bbc.co.uk](mailto:peter.brightwell@bbc.co.uk)